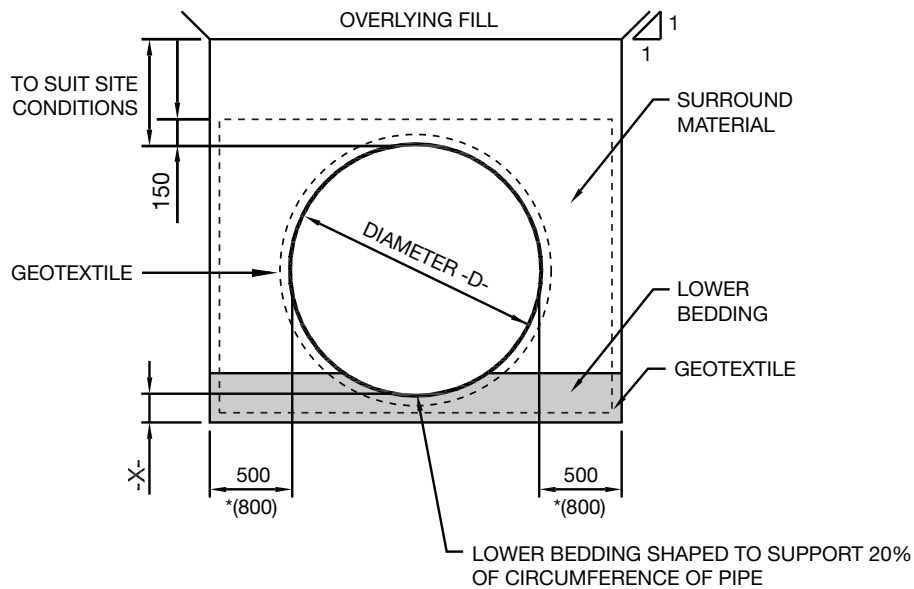


EXCAVATION AND BACKFILL REQUIREMENTS FOR TUBOSIDER SOAKAWAYS Single Pipe Run



Minimum depth (X) of Lower Bedding material to be equal to Diameter (D) divided by 10. Therefore for a 1.8m pipe, X = 180mm. For a 2.4m pipe, X = 240mm etc.

*500mm for pipes less than 3m diameter. 800mm for pipes 3m and above.

Structural and Durability Design based on Highways Agency standard BD12

Backfill & Bedding Materials Specification

Lower Bedding Material	Clean, single size angular granular material from within the range 10mm to 20mm
Surround Material	Clean, single size angular granular material from within the range 20mm to 70mm

Note: SINGLE SIZE FILL REQUIRES NO COMPACTION

16.7.2010