

FLOW REGULATORS



TUBOSIDER

GRUPPO RUSCALLA

UNITED KINGDOM LTD

INTRODUCTION

Mosbaek, Flow Regulators have been utilised in thousands of installations throughout Europe since 1968. They can be used in new and existing situations e.g. storage pipe, overflows, basins, etc.

Each Flow Regulator is designed and fabricated to specific characteristics. All are manufactured from high-grade stainless steel AISI316 for maximum durability under all operating conditions.

For all Flow Regulator enquiries, we provide a sketch detailing dimensions and a computer simulated Q/H curve.



◀ TYPE CY

(For wet installations)

For surface water, foul or combined systems – Discharge from as low as 5 litres per second.

▼ TYPE DB

(For wet installations)

For surface water, foul or combined systems – Shown here fitted inside Tubosider Attenuation Tank



◀ TYPE CE/V

(For wet installations)

For surface water and water from sedimentation systems – Discharge from as low as 0.5 litres per second.

FUNCTIONING

Mosbaek, Flow Regulators regulate the flow as a function of the upstream head. Dry weather flow passes unhindered through the regulator. When the upstream head increases, air is trapped in the upper part of the vortex chamber. By additional increase of the head, the characteristic goes back to the parabolic shaped curve. A vortex is then created in the regulator and this converts the potential energy of the water to rotation and, in this way, limits the discharge.

By decreasing the head, the characteristic follows the parabolic shaped curve until air is let into the regulator. This inlet of air destroys the vortex and creates a sudden increase of the discharge.

This special characteristic is very important for the self-cleaning effect in a pipe system.

Regulation with a Mosbaek, Flow Regulator implies sufficient capacity of the downstream pipe system or knowledge of the head loss downstream at the required capacity.

TYPE CY/D CY/DV & CY/DX

(For Dry Installations)

For surface water, foul or combined systems – Discharge from 12 litres per second to 350 litres per second dependent on model.



TYPE EB single / DB double ORIFICE REGULATOR

(For Wet Installations)

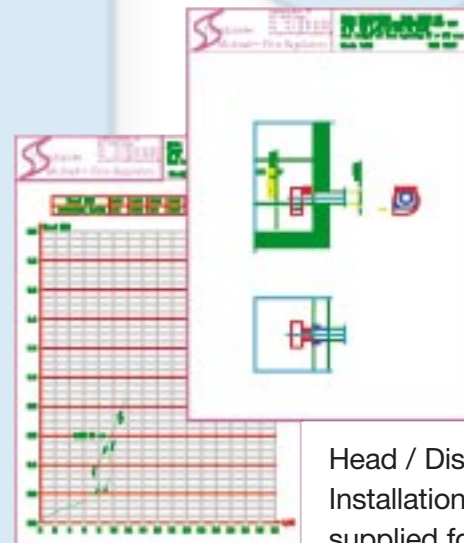
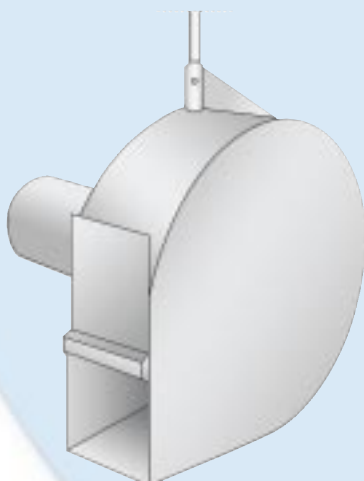
For surface water, foul or combined systems. Second dependent on model.



TYPE CE/V

(For Dry Installations)

For foul water or combined systems – Discharge from 5 litres per second.



Head / Discharge and Installation Drawing supplied for all units



Tubosider also manufacturer Storm Water Attenuation Tanks and Culverts. Our tanks can be supplied with a flow regulator fitted inside.



Tubosider United Kingdom Ltd

10 Sutton Fold Industrial Estate, Off Lancots Lane, Sutton, St Helens, WA9 3EX

Telephone: 01744 452900

Fax: 01744 452949

Email: sales@tubosider.co.uk

Website: www.tubosider.co.uk