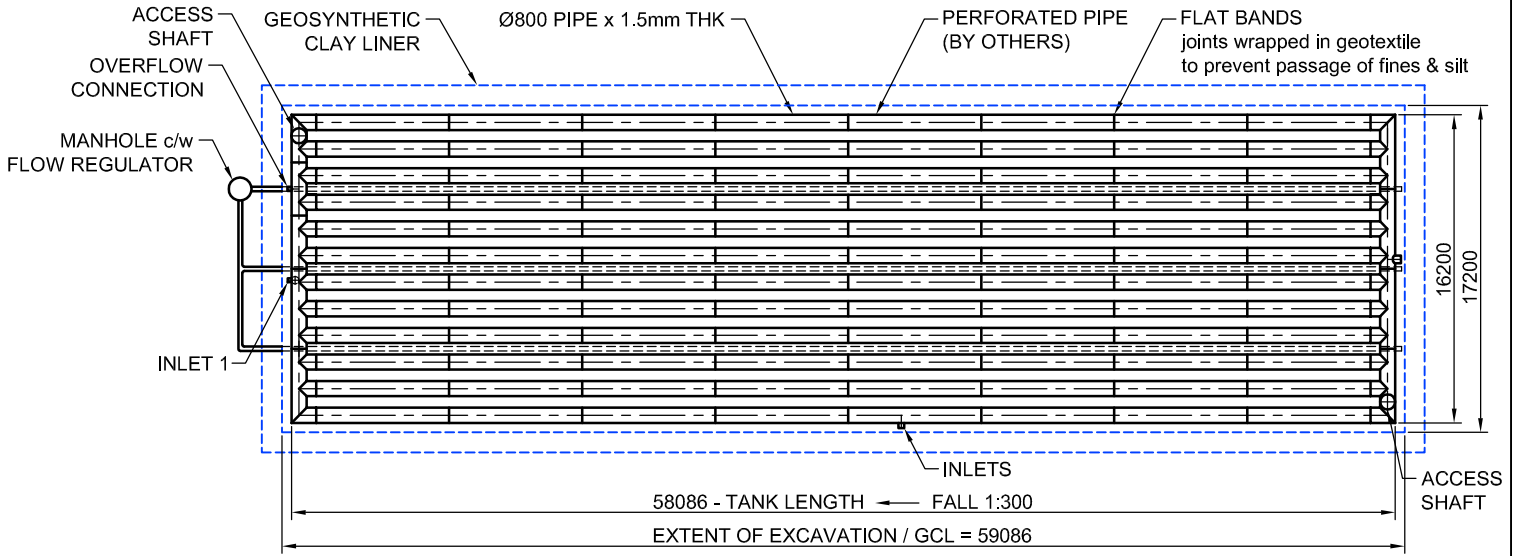
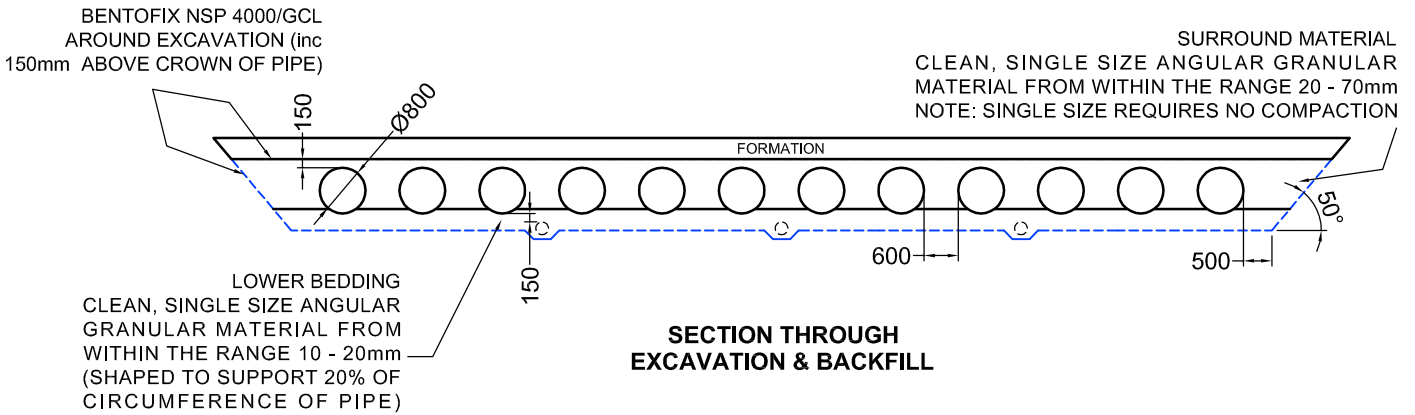


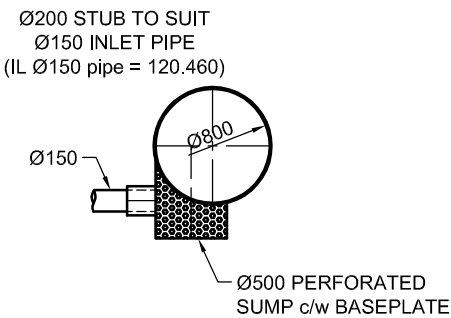
**NOTE THAT TUBOSIDER "TWINSTORE" ATTENUATION SYSTEM HAS UK PATENTS - No 2461142 & No 2469770**



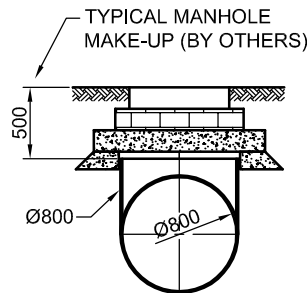
**PLAN VIEW**



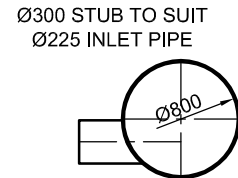
**SECTION THROUGH EXCAVATION & BACKFILL**



**SECTION THROUGH INLET No 1**

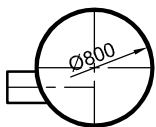


**TYPICAL SECTION THROUGH ACCESS SHAFT**



**TYPICAL SECTION THROUGH INLET**

Ø220 O/D STUB TO SUIT  
Ø225 I/D OVERFLOW PIPE  
(IL Ø225 pipe = 120.670)



**SECTION THROUGH OVERFLOW CONNECTION**

**NOTES:**

1. FLOW REGULATOR TO LIMIT DISCHARGE TO 27 l/s ON 1.175m HEAD (TBC) IN MANHOLE .
2. ATTENUATION CALCULATED OVER PIPE DEPTH & 25% VOID RATIO IN THE STONE.

**TITLE**

Tubosider Twinstore Tank for  
Port Glasgow, Shared Campus - Tank No.3

Attenuation Capacity = 483m<sup>3</sup>

CHK.

**SCALE**

NTS

**DRAWING No.**

TUB/13007

REV.

E



**TUBOSIDER**  
UNITED KINGDOM LTD

10 SUTTON FOLD INDUSTRIAL ESTATE  
OFF LANCOTS LANE, ST HELENS,  
MERSEYSIDE, WA9 3EX

TEL: 01744 452900 FAX: 01744 452949

[www.tubosider.co.uk](http://www.tubosider.co.uk)

E-MAIL: [sales@tubosider.co.uk](mailto:sales@tubosider.co.uk)

E	13.01.12	MR	Approved for manufacture.
Rev.	Date	Drawn	Description