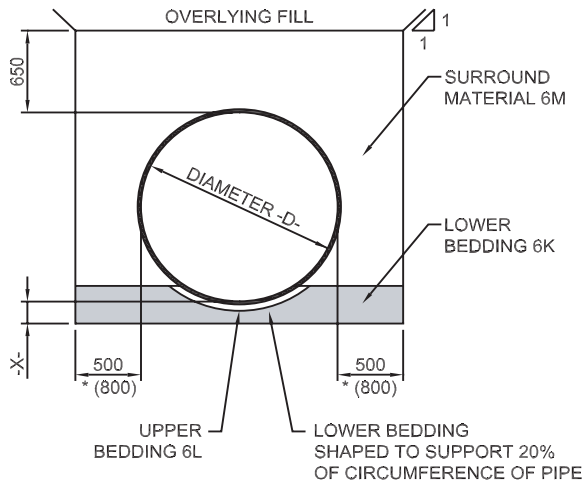


## EXCAVATION AND BACKFILL REQUIREMENTS

### Single Pipe Run



Minimum depth (X) of Lower Bedding material to be equal to Diameter (D) divided by 10. Therefore for a 1.8m pipe, X = 180mm. For a 2.4m pipe, X = 240mm etc.

\*Dimension W to be 500mm for pipes less than 3m diameter. Dimension W to be 800mm for pipes 3m and above.

The above information is drawn from the Design Manual For Roads And Bridges. The materials listed below are as described in Series 600 MCHW1.

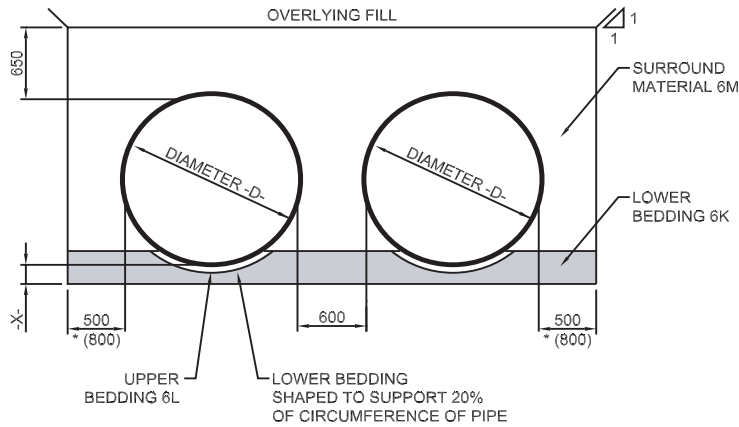
### Backfill & Bedding Materials Specification

Lower bedding material	6K	Natural gravel, natural sand, crushed gravel, crushed rock other than argillaceous rock, crushed concrete, well-burnt colliery spoil or any combination thereof
Upper bedding material	6L	Natural gravel, natural sand, crushed gravel, crushed rock other than argillaceous rock, crushed concrete, well-burnt colliery spoil or any combination thereof
Surround Material	6M	Natural gravel, natural sand, crushed gravel, crushed rock other than argillaceous rock, crushed concrete, well-burnt colliery spoil or any combination thereof

Material	PERCENTAGE BY MASS PASSING THE SIZE SHOWN									
	Size (mm) BS Series						Size (µm) BS Series			
	75	20	10	5	2	1.18	600	300	150	63
Lower bedding 6K		100								0-10
Upper bedding 6L			100	89-100	60-100	30-100	15-100	5-70	0-15 except 0-20 for crushed rock	
Surround 6M	100									0-10

## EXCAVATION AND BACKFILL REQUIREMENTS

### Multiple Pipe Run



Minimum depth (X) of Lower Bedding material to be equal to Diameter (D) divided by 10. Therefore for a 1.8m pipe, X = 180mm. For a 2.4m pipe, X = 240mm etc.

\*Dimension W to be 500mm for pipes less than 3m diameter. Dimension W to be 800mm for pipes 3m and above.

The above information is drawn from the Design Manual For Roads And Bridges. The materials listed below are as described in Series 600 MCHW1.

### Backfill & Bedding Materials Specification

Lower bedding material	6K	Natural gravel, natural sand, crushed gravel, crushed rock other than argillaceous rock, crushed concrete, well-burnt colliery spoil or any combination thereof
Upper bedding material	6L	Natural gravel, natural sand, crushed gravel, crushed rock other than argillaceous rock, crushed concrete, well-burnt colliery spoil or any combination thereof
Surround Material	6M	Natural gravel, natural sand, crushed gravel, crushed rock other than argillaceous rock, crushed concrete, well-burnt colliery spoil or any combination thereof

Material	PERCENTAGE BY MASS PASSING THE SIZE SHOWN									
	Size (mm) BS Series						Size (µm) BS Series			
	75	20	10	5	2	1.18	600	300	150	63
Lower bedding 6K		100								0-10
Upper bedding 6L			100	89-100	60-100	30-100	15-100	5-70	0-15 except 0-20 for crushed rock	
Surround 6M	100									0-10